

The supra clamp is the evolution of the Super clamp.

The geometry of the Supra clamp is designed to be a lightweight clamp with extremely high performance. Thanks to its unique design, installation and removal can be carried out without needing to disconnect the hoses or pipes in the application, without any component becoming detached from the clamp itself.

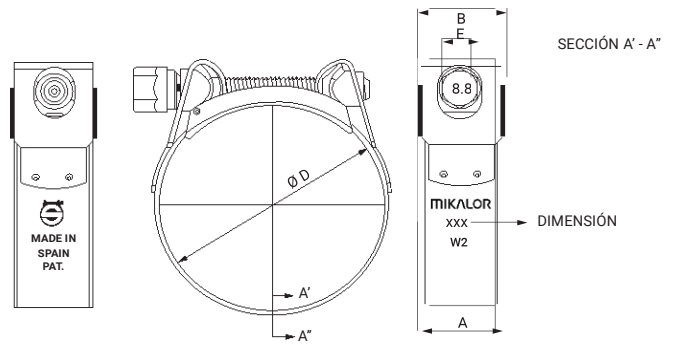
Its high-strength screw ensures a secure application, allowing for high tightening torque values. The band features beveled edges to prevent damage or cutting of hoses and rubber components

MATERIAL: W2 stainless steel band
AISI 430 (X6Cr17 – DIN 1.4016)
19MnB4 steel screw
(EN 10269), Cr3 zinc-plated, 72 hours salt spray resistance according to ASTM B-117

RESISTENCIA A LA CORROSIÓN:

**Fully complies with EU Directive RoHS 2002/95/EC dated July 1, 2006, and all its subsequent amendments.*

	Ø Aplicación	Métrico tornillo	Ø D +1 -0.5	A ±0.3	S ±0.3	B ±0.5	E ±0.2	Valores Máx.		Envase	Embalaje
								Presión (Bar)	Par (Nm)		
03019010	17-18	M6	18	18	0,6	19,8	8	45	10	50	400
03019011	18-19	M6	19	18	0,6	19,8	8	45	10	50	400
03019020	19-21	M6	21	18	0,6	19,8	8	45	10	50	400
03019039	21-23	M6	23	18	0,6	19,8	8	45	10	50	400
03019047	23-25	M6	25	18	0,6	19,8	8	45	10	50	400
03019055	25-27	M6	27	18	0,6	19,8	8	45	10	50	400
03019063	27-29	M6	29	18	0,6	19,8	8	45	10	50	200
03019071	29-31	M7	31	20	0,8	22,0	10	40	13	50	50
03019080	31-34	M7	34	20	0,8	22,0	10	40	13	50	50
03019098	34-37	M7	37	20	0,8	22,0	10	40	13	50	50
03019100	37-40	M7	40	20	0,8	22,0	10	40	13	50	50
03019119	40-43	M7	43	20	0,8	22,0	10	40	13	50	50
03019127	43-47	M7	47	20	0,9	22,0	10	36	16	50	50
03019135	47-51	M7	51	20	0,9	22,0	10	36	16	50	50
03019143	51-55	M7	55	20	0,9	22,0	10	36	16	25	25
03019151	55-59	M7	59	20	0,9	22,0	10	36	16	25	25
03019160	59-63	M7	63	20	0,9	22,0	10	36	16	25	25
03019178	63-68	M7	68	20	0,9	22,0	10	36	16	25	25



	\varnothing Aplicación	Métrico tornillo	$\varnothing D$ +1 -0.5	A ± 0.3	S ± 0.3	B ± 0.5	E ± 0.2	Valores Máx.		Envase	Embalaje
								Presión (Bar)	Par (Nm)		
03019186	68-73	M8	73	25	1,0	27,5	13	28	30	25	25
03019194	73-79	M8	79	25	1,0	27,5	13	28	30	25	25
03019207	79-85	M8	85	25	1,0	27,5	13	28	30	25	25
03019215	85-91	M8	91	25	1,0	27,5	13	20	30	25	25
03019223	91-97	M8	97	25	1,0	27,5	13	20	30	25	25
03019231	97-104	M8	104	25	1,0	27,5	13	20	30	25	25
03019240	104-112	M8	112	25	1,0	27,5	13	12	30	25	25
03019258	112-121	M8	121	25	1,0	27,5	13	12	30	25	25
03019266	121-130	M8	130	25	1,0	27,5	13	12	30	25	25
03019274	130-140	M10	140	28	1,2	31,0	15	9	45	10	10
03019282	140-150	M10	150	28	1,2	31,0	15	9	45	10	10
03019290	150-162	M10	162	28	1,2	31,0	15	9	45	10	10
03019303	162-174	M10	174	28	1,2	31,0	15	6	45	10	10
03019311	174-187	M10	187	28	1,2	31,0	15	6	45	10	10
03019320	187-200	M10	200	28	1,2	31,0	15	6	45	10	10
03019338	200-213	M10	213	28	1,2	31,0	15	3	45	10	10
03019346	213-226	M10	226	28	1,2	31,0	15	3	45	10	10
03019354	226-239	M10	239	28	1,2	31,0	15	3	45	10	10
03019362	239-252	M10	252	28	1,2	31,0	15	3	45	10	10
03019370	252-265	M10	265	28	1,2	31,0	15	3	45	10	10
03019477	265-278	M10	278	28	1,2	31,0	15	3	45	10	10
03019392	278-291	M10	291	28	1,2	31,0	15	3	45	10	10
03019403	291-304	M10	304	28	1,2	31,0	15	3	45	10	10
03019411	304-317	M10	317	28	1,2	31,0	15	3	45	10	10
03019485	317-330	M10	330	28	1,2	31,0	15	3	45	10	10
03019422	330-343	M10	343	28	1,2	31,0	15	3	45	10	10
03019433	343-356	M10	356	28	1,2	31,0	15	3	45	10	10
03019444	356-369	M10	369	28	1,2	31,0	15	3	45	10	10
03019455	369-382	M10	382	28	1,2	31,0	15	3	45	10	10
03019499	382-395	M10	395	28	1,2	31,0	15	3	45	10	10
03019500	395-408	M10	408	28	1,2	31,0	15	3	45	10	10