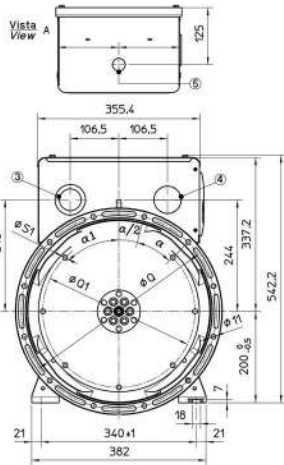
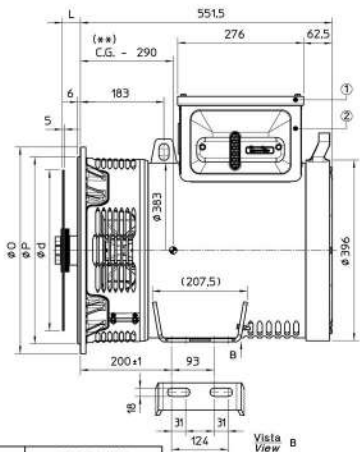
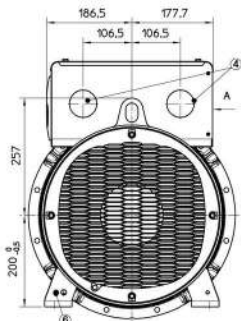


# SINGLE BEARING DIMENSIONS

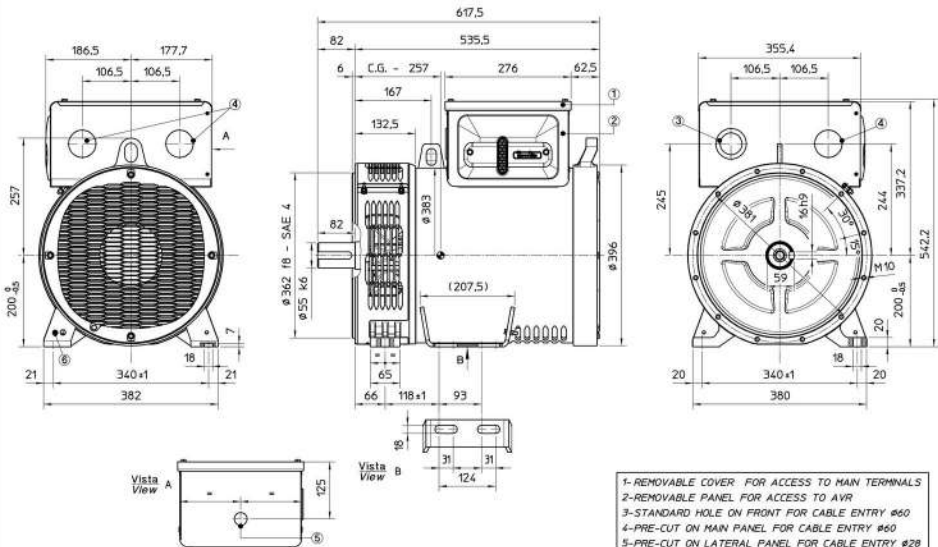


SAE N.	GIUNTI A DISCHI / DISC COUPLING DISQUE DE MONOPALIER / BOCHERENKUPPLUNG				
	d	L	Q1	S1	α1
6 1/2	215.9	30.2	200	9	60°
7 1/2	241.3	30.2	222.25	9	45°
8	263.52	62	244.47	11	60°
10	314.32	53.8	295.27	11	45°
11 1/2	352.42	39.6	333.37	11	45°

SAE N.	FLANGIA / LANGE BRIDE / FLANSCH			
	O	P	Q	α
5	356	314.3	333.4	45°
4	402	362	381	30°
3	453	409.6	428.6	30°
2	490	447.7	466.7	30°
1	553	511.2	530.2	30°

- 1- REMOVABLE COVER FOR ACCESS TO MAIN TERMINALS
  - 2- REMOVABLE PANEL FOR ACCESS TO AVR
  - 3- STANDARD HOLE ON FRONT FOR CABLE ENTRY  $\phi 48$
  - 4- PRE-CUT ON MAIN PANEL FOR CABLE ENTRY  $\phi 48$
  - 5- PRE-CUT ON LATERAL PANEL FOR CABLE ENTRY  $\phi 28$
  - 6- SCREW M6 FOR BODY EARTHING
- (\*\*) - GRAVITY CENTER IN CONFIGURATION SAE 3 FLYWHEEL 11 1/2

## TWO BEARING DIMENSIONS



- 1-REMOVABLE COVER FOR ACCESS TO MAIN TERMINALS  
 2-REMOVABLE PANEL FOR ACCESS TO AVR  
 3-STANDARD HOLE ON FRONT FOR CABLE ENTRY  $\phi 60$   
 4-PRE-CUT ON MAIN PANEL FOR CABLE ENTRY  $\phi 60$   
 5-PRE-CUT ON LATERAL PANEL FOR CABLE ENTRY  $\phi 28$   
 6-SCREW M6 FOR BODY EARTHINGS  
 C.G.-GRAVITY CENTER