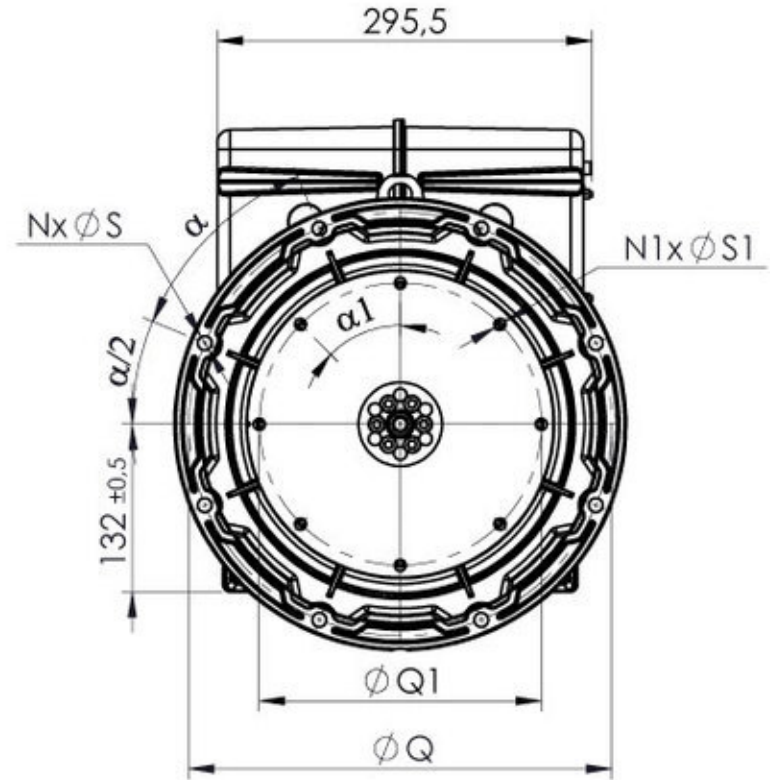
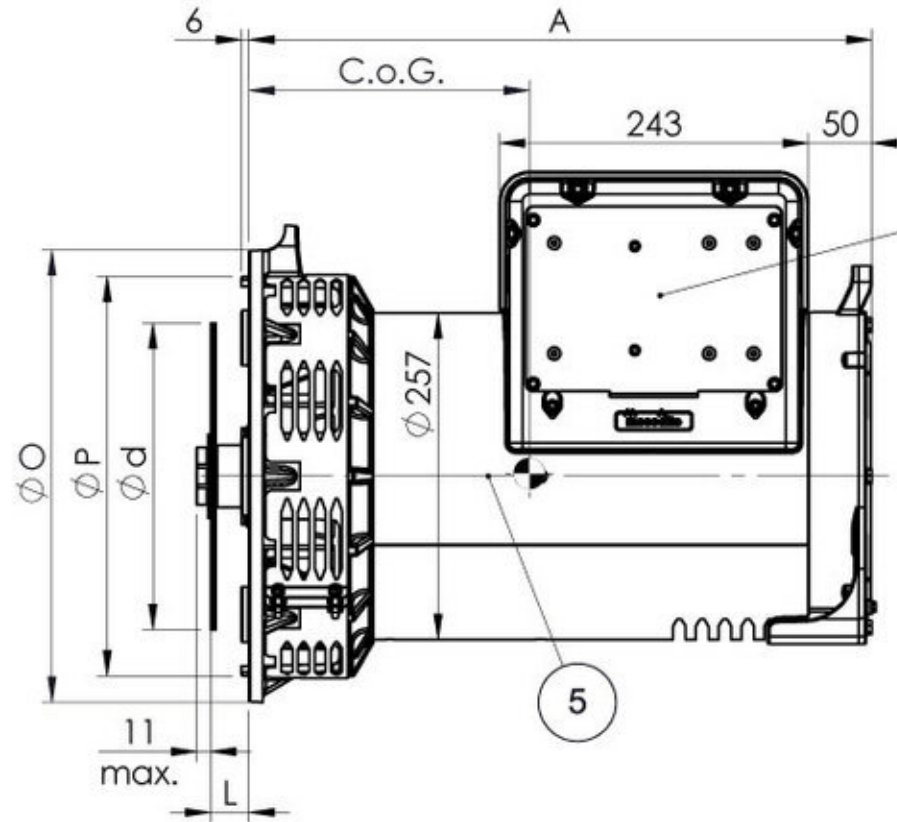
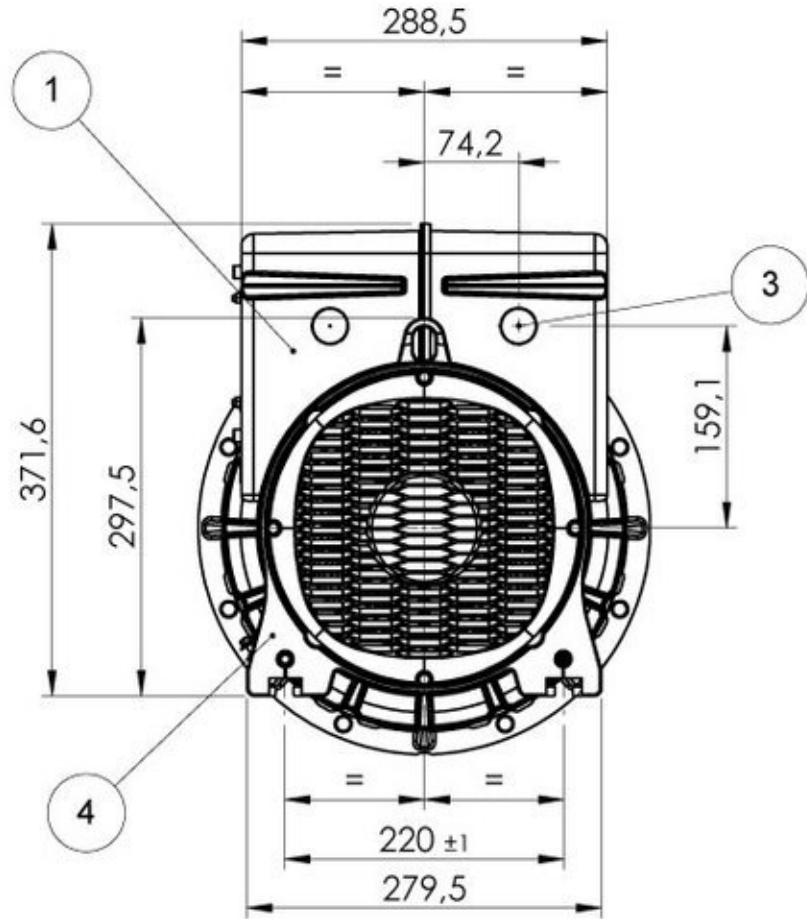
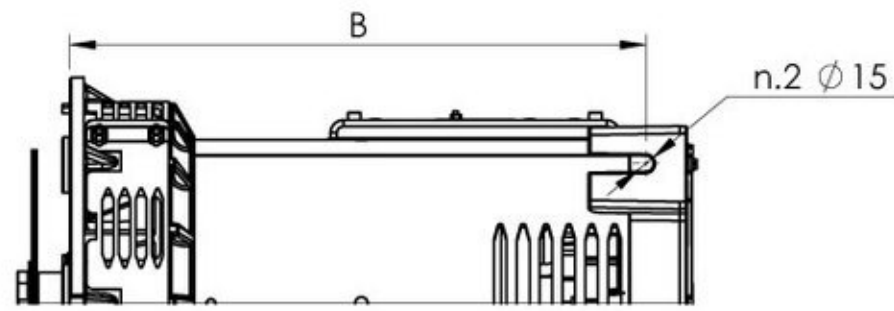


- |    |  |
|----|--|
| 1) | REMOVABLE COVER FOR ACCESS TO MAIN TERMINALS             |
| 2) | REMOVABLE PANEL FOR ACCESS TO AVR                        |
| 3) | PRE-CUT FOR CABLE ENTRY $\phi$ 28 mm                     |
| 4) | SCREW M4 FOR GROUNDING                                   |
| 5) | CENTER OF GRAVITY (C.o.G.) IN CONF. SAE 5 FLYWHEEL 7 1/2 |



TIPO / TYPE TYPE / TYPE	A [mm]	B [mm]	C.o.G. [mm]
ECP4 1M / 4C	420,80	383,50	231,73
ECP4 2M / 4C			226,15
ECP4 3M / 4C			221,52
ECP4 4M / 4C			213,04
ECP4 5M / 4C			202,05
ECP4 1L / 4C	490,80	453,50	247,53
ECP4 2L / 4C			241,87

SAE N.	FLANGIA / FLANGE BRIDE / FLANSCH					
	O	P	Q	S	N	α
	5	356	314,3	333,4	11	8
4	403	362,0	381,0	11	12	30°
3	451	409,6	428,6	11	12	30°

SAE N.	GIUNTI A DISCHI / DISC COUPLING DISQUE DE MONOPALIER / SCHEIBENKUPPLUNG					
	d	L	Q1	S1	N1	α1
6 1/2	215,90	30,2	200,00	9	6	60°
7 1/2	241,30	30,2	222,25	9	8	45°
8	263,52	62,0	244,47	11	6	60°
10	314,32	53,8	295,27	11	8	45°
11 1/2	352,42	39,6	333,37	11	8	45°